

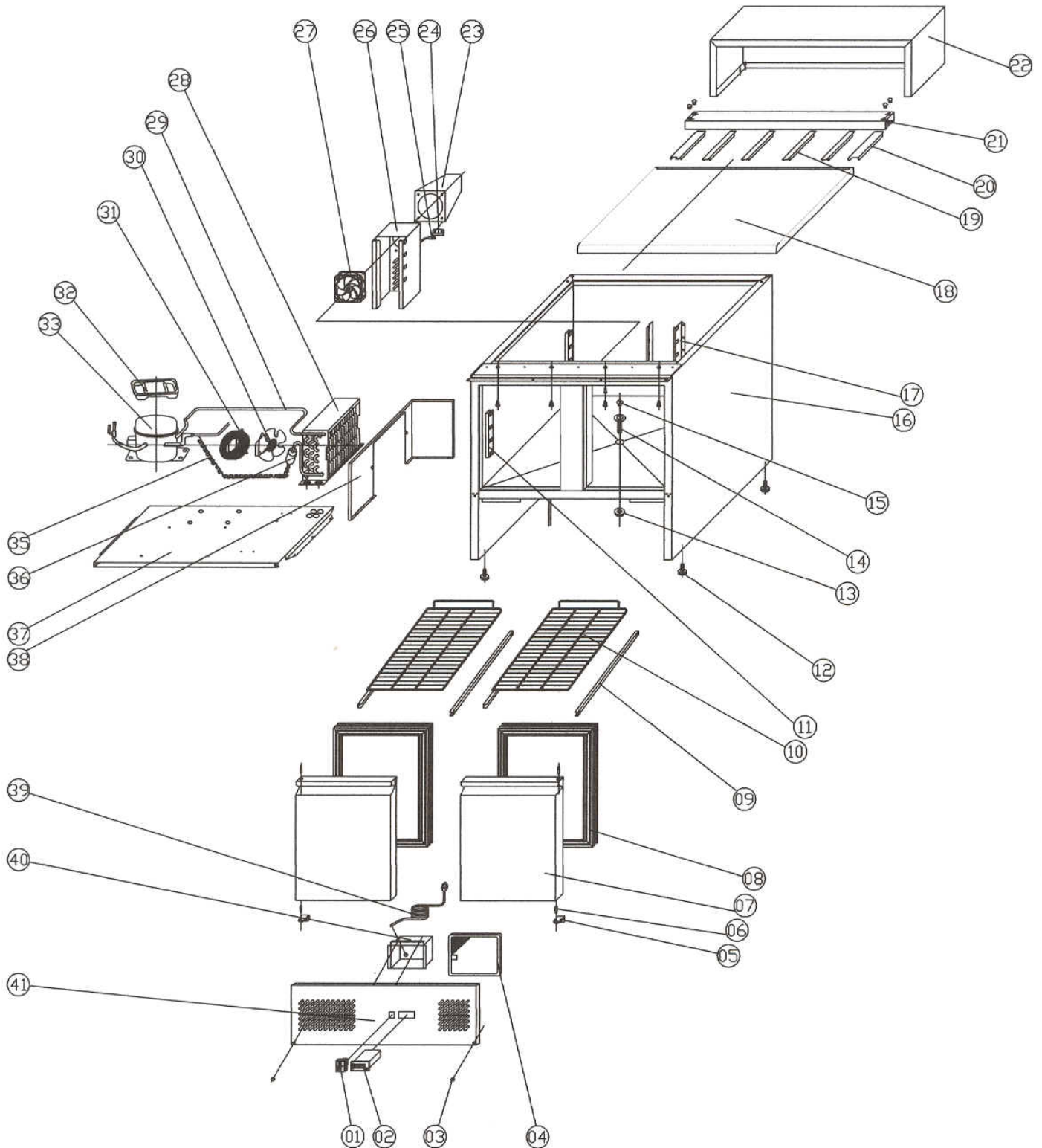
Exploded view



Explodierte Ansicht | Dessin technique | Rozkres
Vista en despiece ordenado

MP 902

Exploded view 1/1



Exploded view



Explodierte Ansicht | Dessin technique | Rozkres Vista en despiece ordenado

MP 902

ARTICLE	NUMBER	POSITION
MAIN SWITCH	S900.01	1
THERMOSTAT	S900.02	2
PLASTIC CAP	S900.03	3
FILTER	S900.04	4
DOWN HINGE LEFT/RIGHT	S900.05	5
DOWN HINGE AXIS	S900.06	6
DOOR LEFT/RIGHT	S900.07	7
GASKET	S900.08	8
GUIDE LEFT/RIGHT	S900.10	9
SHELF	S900.11	10
SIDE SUPPORT	S900.12	11
BACK SUPPORT	S900.18	17
FEET	S900STD.38M12	12
DRAIN PIPE NUT	S900.14	13
DRAIN PIPE	S900.15	14
DRAIN PIPE COVER	S900.16	15
BODY	S900.17	16
GRANITE PANEL	PS900.01	18
SUPPORT	PS900.02	19
SIDE SUPPORT	PS900.03	20
BASIN BRACKET	PS900.04	21
BASIN BOX	PS900.05	22
AIRFLOW DUCT	S900.30	23
SENSOR FIXED CLIP	S900.31	24
SENSOR	S900.32	25
CIRCLE FAN SUPPORT	S900.33	26
CIRCLE FAN	S900.34	27
CONDENSER	S900.35	28
DISCHARGE TUBE	S900.36	29
CONDENSER FAN	S900.37	30
BASKET GUARD GRILLS	S900.38	31
WATER PAN	S900.40	32
COMPRESSOR	S900.41	33
CAPILLARY	S900.43	35
FILTER DRIER	S900.44	36
UNIT BOARD	S900.45	37
CONDENSER COVER BOARD	S900.46	38
PLUG	S900.47	39
JUNCTION BOX	S900.48	40
FRONT PANEL	S900.49	41